



Mobile workplace cranes

KBK and D-IVP portal cranes

DEMAG

Specialised handling equipment for stores vand factories

Demag portal cranes run on solid, even floors and can be easily manoeuvred in any direction. This makes them ideal for a wide variety of loading and unloading operations in your factory as well as for maintenance and repair work.

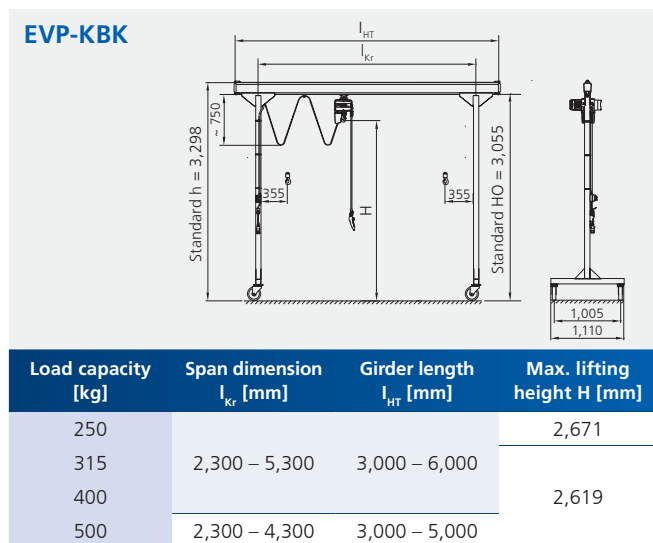
A FURTHER BENEFIT:

these portal cranes can be easily dismantled, transported and quickly re-erected elsewhere. The crane girder span can be adjusted over a wide range.

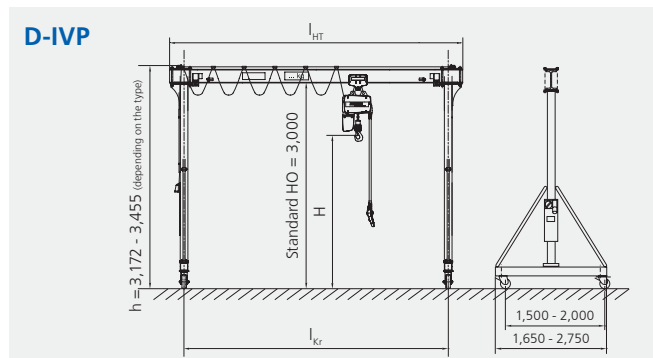
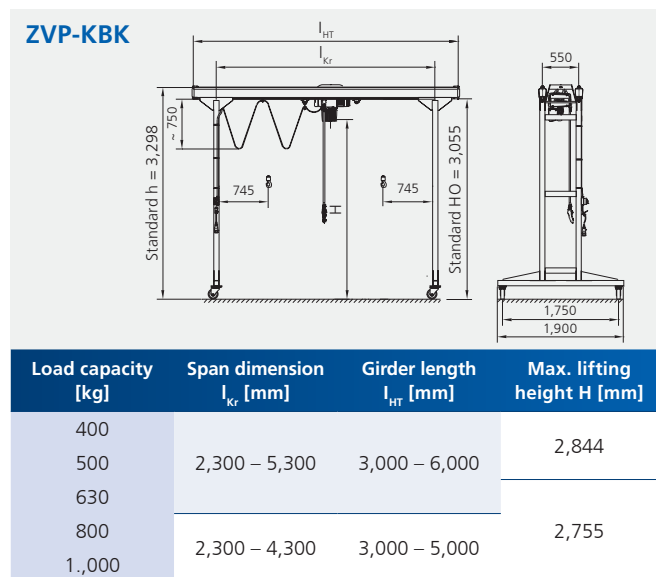
Demag portal cranes are the ideal solution wherever a permanent crane would be too complicated or cannot be installed.

THREE TYPES ARE AVAILABLE:

- EVP-KBK: Single-girder portal crane, KBK II or KBK II-H crane girder
- ZVP-KBK: Double-girder portal crane, KBK II or KBK II-H crane girder
- D-IVP: Single-girder portal crane, I-beam crane girder, optional telescopic height adjustment



See technical data sheet 202 780 44 for further details on KBK portal cranes.



* for lower edge of girder section = 3,000 mm
See technical data sheet 203 363 44 for further details on D-IVP portal cranes.

DEMAG CRANES & COMPONENTS GMBH

Wetter site
Ruhrstrasse 28
58300 Wetter/Germany
E info@demagcranes.com
P +49 2335 92-0
F +49 2335 92-7676
www.demagcranes.com

DEMAG