



**NEW: KBK A28**

Even more freedom for  
planners thanks to greater  
load capacity

DEMAG KBK 250 kg

DEMAG KBK 1000 kg

# The ergonomic benchmark

Demag KBK Aluline

**DEMAG**  
.....



International studies prove: the ergonomic design of workplaces has a decisive impact on productivity. Make use of the productivity potential that Demag KBK Aluline offers you.

As one of the smoothest-running systems on the market, Demag KBK Aluline can be used for load-bearing solutions for loads weighing up to 2,000 kg that are designed to be as ergonomic and comfortable as possible.

With the new KBK Aluline A28, a profile section is now also available which can be used to achieve suspension distances of up to 10,5 m with a profile section load capacity of 250 kg. This means more room for manoeuvre as early as the system planning stage. And thanks to its modular design, Demag KBK Aluline can also be adapted to changing requirements.



42410

#### AT A GLANCE:

- Extremely smooth running
- Easier to install
- Load capacity range up to 2,000 kg
- Long suspension distances
- More ergonomic handling even of heavy loads
- Reduced noise levels
- Virtually maintenance-free system
- Integrated conductor line for three profile section sizes

#### ERGONOMIC

The low deadweight of the aluminium profile sections in combination with the smooth-running trolleys makes the cranes even easier to move by hand.

Even heavy, bulky loads can be moved and decelerated quickly and with very little effort. A real plus for the health and satisfaction of employees.

#### EFFICIENT

The new system impresses with significant time and cost savings thanks to simplified installation even before commissioning. In addition, KBK Aluline needs even less maintenance than before and requires fewer spare parts.

**And with the new Demag KBK A28 profile section, suspension distances can be achieved that were previously only possible with Demag KBK steel profile sections.**

#### STATE-OF-THE-ART

In addition to its outstanding technical properties, we are pleased to emphasise the attractive appearance of Demag KBK Aluline. With its high-quality design, the system is perfect for modern production facilities with bright and friendly workplaces.

#### THE ALUMINIUM SYSTEM FROM THE MARKET LEADER

The Demag KBK Aluline light crane system is the consistent continuation of a long tradition. We redefined many production processes around the world over 60 years ago with our modular crane construction kit, and the invention of smooth running characteristics.

And over 20 years ago, we were one of the first companies to introduce an aluminium system. Since then, Demag KBK Aluline has been the ideal solution when a crane installation needs to perform well but weigh little.

# The ergonomic benchmark

## Demag KBK Aluline

### KBK CLASSIC SUSPENSION

Articulated. Long suspension possible with threaded rods. Height adjustable to the millimetre. Connection to a wide range of superstructures possible.

### PROFILE SECTIONS

Easy to remove and extend. Modular design for time- and cost-saving maintenance and repair.

### ANODISED PROFILE SECTION SURFACE

Durable. Corrosion-resistant. Shock-resistant. Protection against environmental influences. For an even longer service life. State-of-the-art, attractive industrial design.

### END CAP

Slotted screw connection for easy assembly and disassembly.

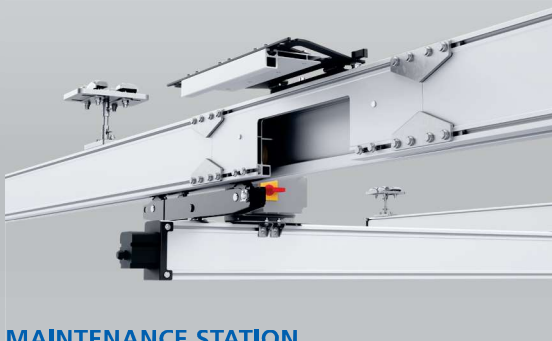


### INTEGRATED CONDUCTOR LINE

Available as an option for profile section sizes A18, A22 and A28. Clean look. Reduced risk of accidents or collision. Reliable supply of electrical energy without the need for additional power supply fittings – even for more than two cranes on a runway.

### JOINT CONNECTION

Easy to install thanks to easy-to-screw connecting brackets.

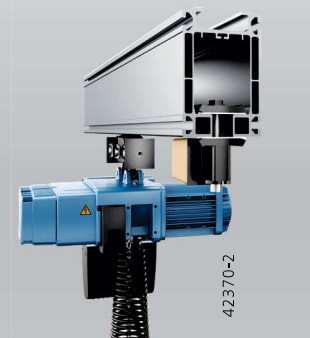


43049

### MAINTENANCE STATION

Direct access to moving components

- Assembly, disassembly and maintenance of trolleys
- When open: secure locking of opening and trolleys
- Can be used with fully loaded trolleys when locked
- Available for all profile sizes



42370-2



42371

### TRAVEL LIMIT

Fast installation – secure stop

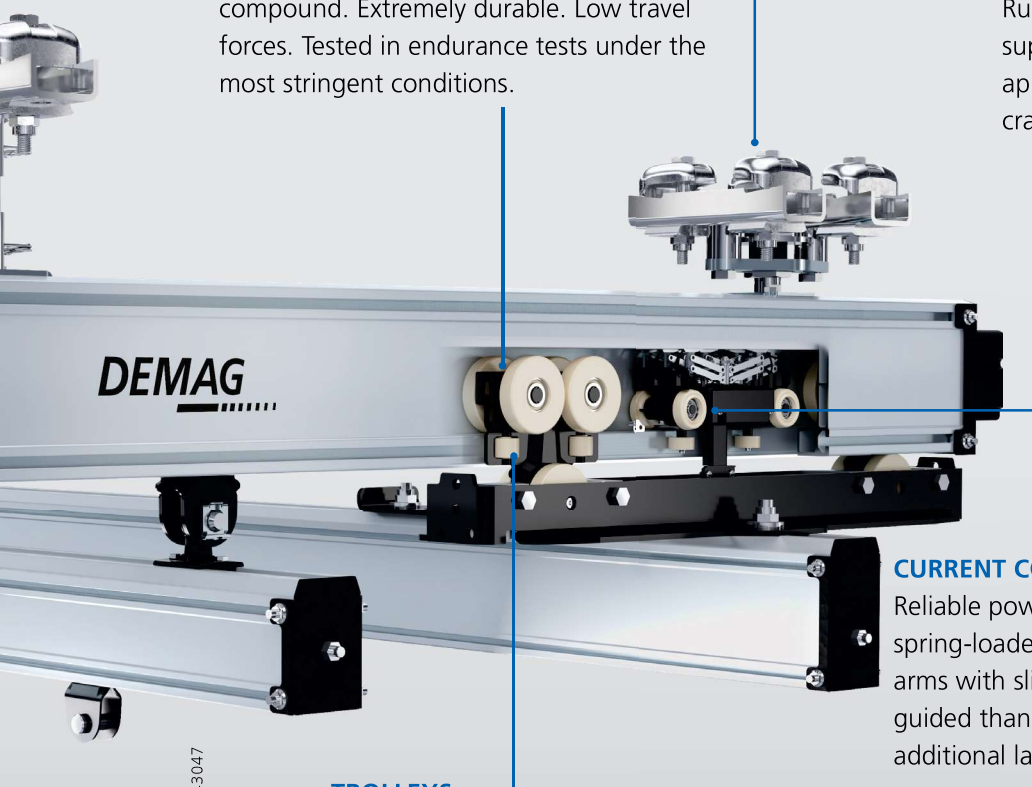
- Reliable limitation of travel motions – also for temporary use
- Position can be changed in a few simple steps

### PLASTIC TRAVEL WHEELS

Extremely light, quiet and smooth running thanks to special high-tech plastic compound. Extremely durable. Low travel forces. Tested in endurance tests under the most stringent conditions.

### KBK ERGO SUSPENSION

Rigid. Height adjustable to the nearest millimetre. Absorbs kick-up forces. Rubber-damped transfer of force to the superstructure. Ideally suited for applications with manipulators, extending cranes or offset loads.



### CURRENT COLLECTOR TROLLEY

Reliable power transmission via spring-loaded double pantograph arms with sliding contacts. Reliably guided thanks to double trolley and additional lateral guide rollers.

### TROLLEYS

Excellent smooth-running performance and minimum rolling resistance over their entire service life. Lifetime lubricated anti-friction bearings. Lateral guide rollers for effortless smooth running as standard. Streamlined design with low deadweight.

43047



### KBK CLASSIC TROLLEY

To support hoists – e.g. chain hoists with variable lifting speeds or electric balancers.



### KBK ERGO TROLLEY

Counter-pressure roller with eccentric adjustment. For connection of rigid loads and ergonomic handling devices – e.g. manipulator cranes. High positioning accuracy even at high operating speeds.



43048



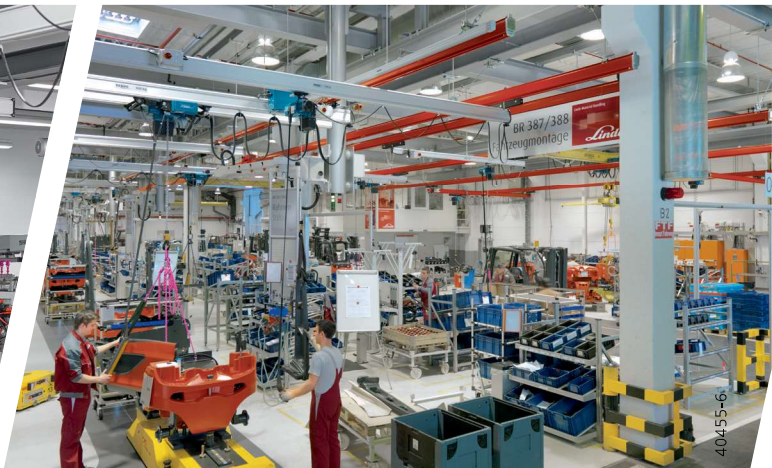
41602

### SMOOTH RUNNING FOR LOGISTICS

- Easy and ergonomic to move by hand, partly due to the very low deadweight of the cranes
- Gain valuable production space thanks to overhead material handling:
  - linear, e.g. along a production line
  - area-wide, e.g. at individual assembly stations

### PERFECTION THROUGH COMBINATION

- KBK Aluline single and double-girder crane on KBK II-H steel rail section – optionally with trailing cable or internal conductor line



40455-6



### ERGONOMIC SOLUTION

- KBK Aluline extending crane with Demag Manulift
- Can also be used beyond the crane runway and in areas that are difficult to access (e.g. between pillars and supports)
- Double-girder crane with lifting column:
  - tailored solutions to safely absorb kick-up forces

### WITH LARGE RADIUS

- Pillar or wall-mounted slewing jib cranes with low jib weight
- Ideal handling solution for ergonomic workplaces



Load capacity [kg]	Profile/suspension distances* [m]				
	A12	A16	A18	A22	A28
100	4.6	7.0	8.0	8.0	10.5
150	3.7	5.7	8.0	8.0	10.5
250	2.9	4.4	6.4	8.0	10.5
500	2.0	3.1	4.5	5.9	9.2
750	1.4	2.3	3.7	4.8	7.5
1,000	1.0	1.8	3.2	4.2	6.5
1,250				3.6	5.8
1,600				2.9	5.1
2,000				2.3	4.2
2,500				1.8	3.4
2,600				1.7	3.2

\* Guideline values

### ALWAYS THE RIGHT PROFILE SECTION

Eight aluminium profile sections in five sizes. Compatible with legacy systems via adapters. ITEM-compatible slots. Exceptionally low deadweight with high rigidity. Long suspension distances of up to 11.00 metres possible.



### SIMPLE PLANNING

You can configure a KBK system to meet your specific needs quickly and easily in just a few steps with our online planning tool. You always receive the best possible solution for your requirements with reliable and plausible results.

### DEMAG CRANES & COMPONENTS GMBH

Wetter site  
 Ruhrstrasse 28  
 58300 Wetter, Germany  
**E** info@demagcranes.com  
**T** +49 2335 92-0  
**F** +49 2335 92-7676  
[www.demagcranes.com](http://www.demagcranes.com)

